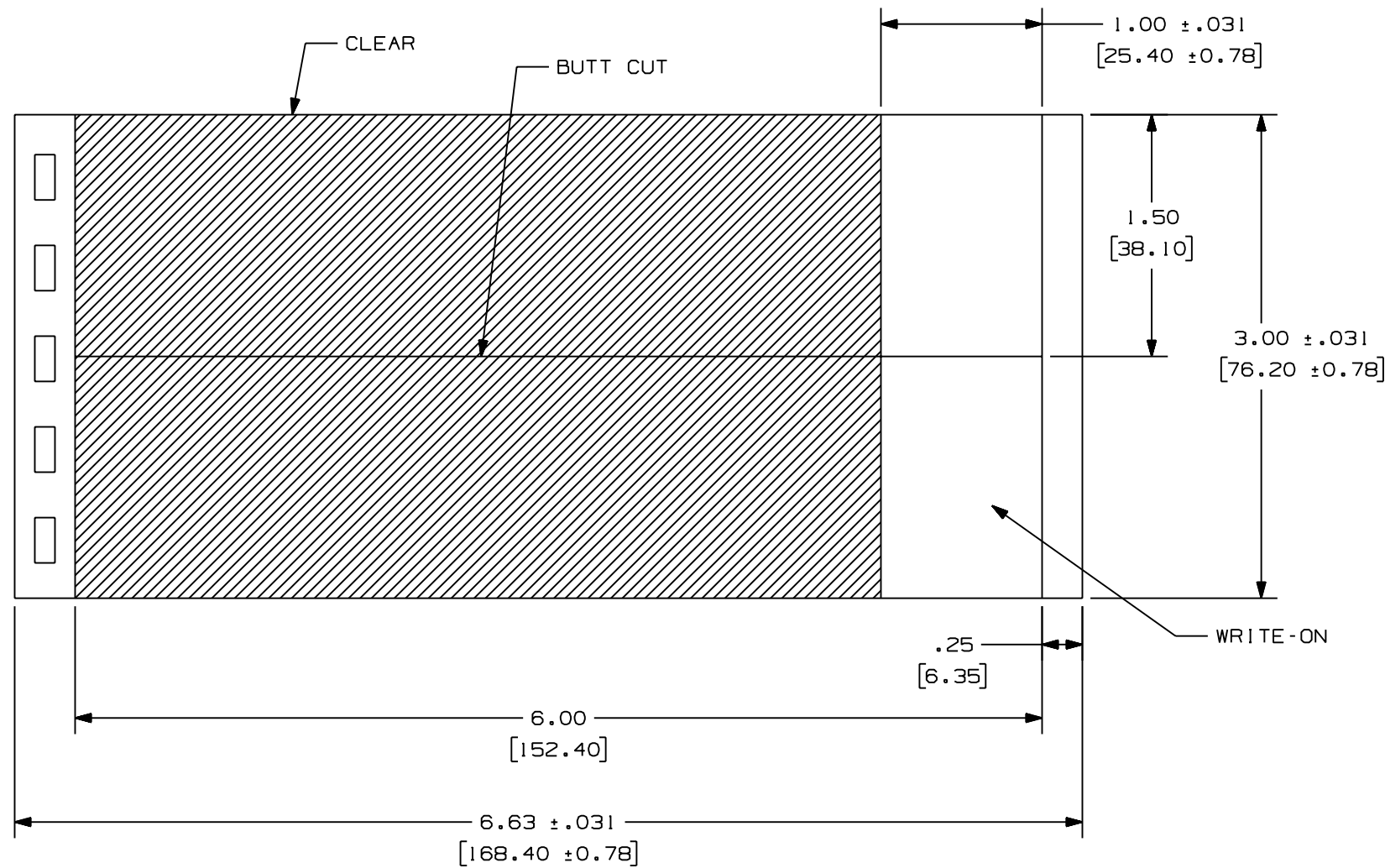


TABLE 1				
PART NO.	MATERIAL	WRITE-ON AREA	LABELS PER SHEET	SHEETS PER BOOK
PSCB-16	GMV3	WHITE	2	10
PSCB-16Y	GMV3	WHITE	2	10

\* COMBINATION PKG:  
2 BLACK, 2 BLUE, 2 GREEN, 2 RED, 2 YELLOW



NOTES:  
1. SEE MFG. DWG. NO. A60324.  
2. DIMENSION IN [ ] ARE IN MILLIMETERS.

CAD FILENAME/LAYERS 100619CL\_C10368\_PSCB\_00.prt

**PANDUIT** CORP TINLEY PARK, ILLINOIS  
CUSTOMER DRAWING  
PSCB-16, PSCB-16Y  
1.50" X 6.00" LABEL

UNLESS OTHERWISE SPECIFIED,  
DIMENSIONAL TOLERANCES ARE:  
(.X) ± .031 (.XXX) ± .010  
(.XX) ± .015 ANGLES ±

UNLESS OTHERWISE SPECIFIED,  
ALL DIMENSIONS ARE GIVEN IN  
INCHES, THIRD ANGLE PROJECTION

REV	DATE	BY	CHK	DESCRIPTION	ECN	R	CUST	SUP
O	6-7-06	RVU		RELEASE TO PRODUCTION.	4542	R		
A	8-18-05	RVU		ENGINEERING RELEASE	0000	R		

DRAWN BY MSA

MAT'L:

DATE 8-18-05

SEE TABLE 1

CHK'D

SCALE NTS

DRAWING NO. C10368

DWG B

SIZE